

1 2 3 4 5

A

B

C

D

E

F

G

A

B

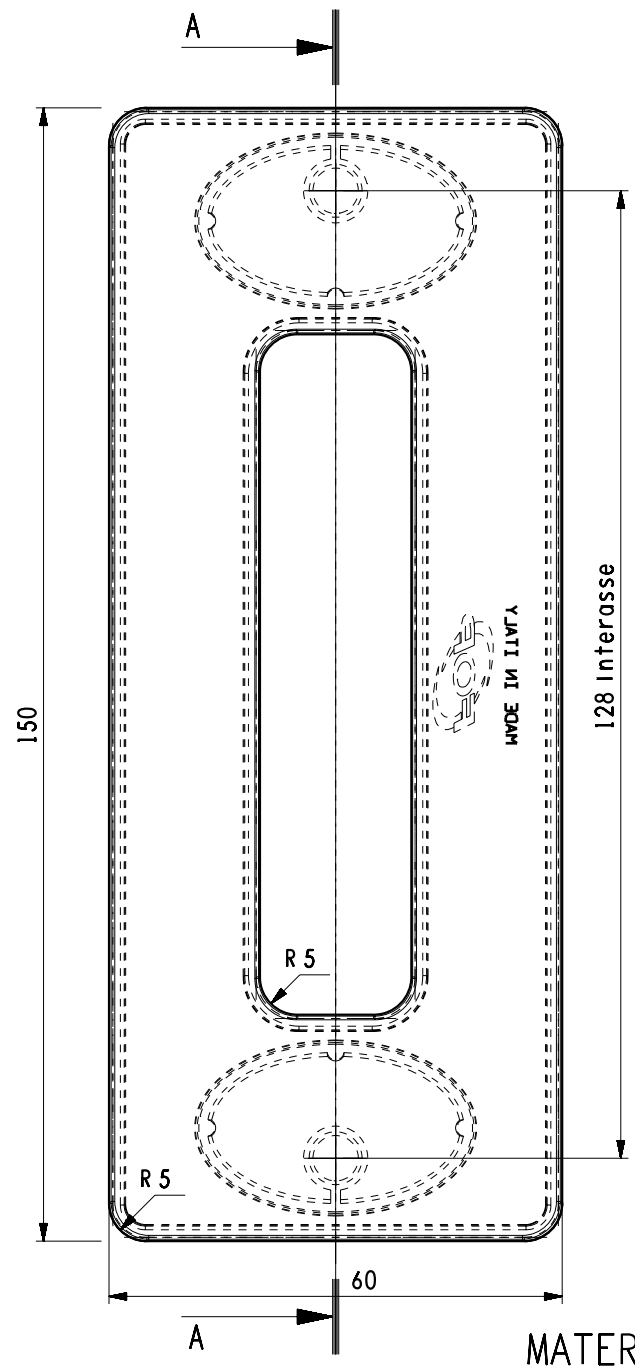
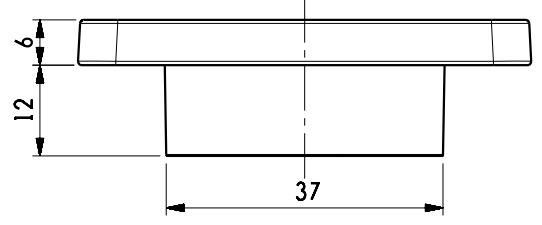
C

D

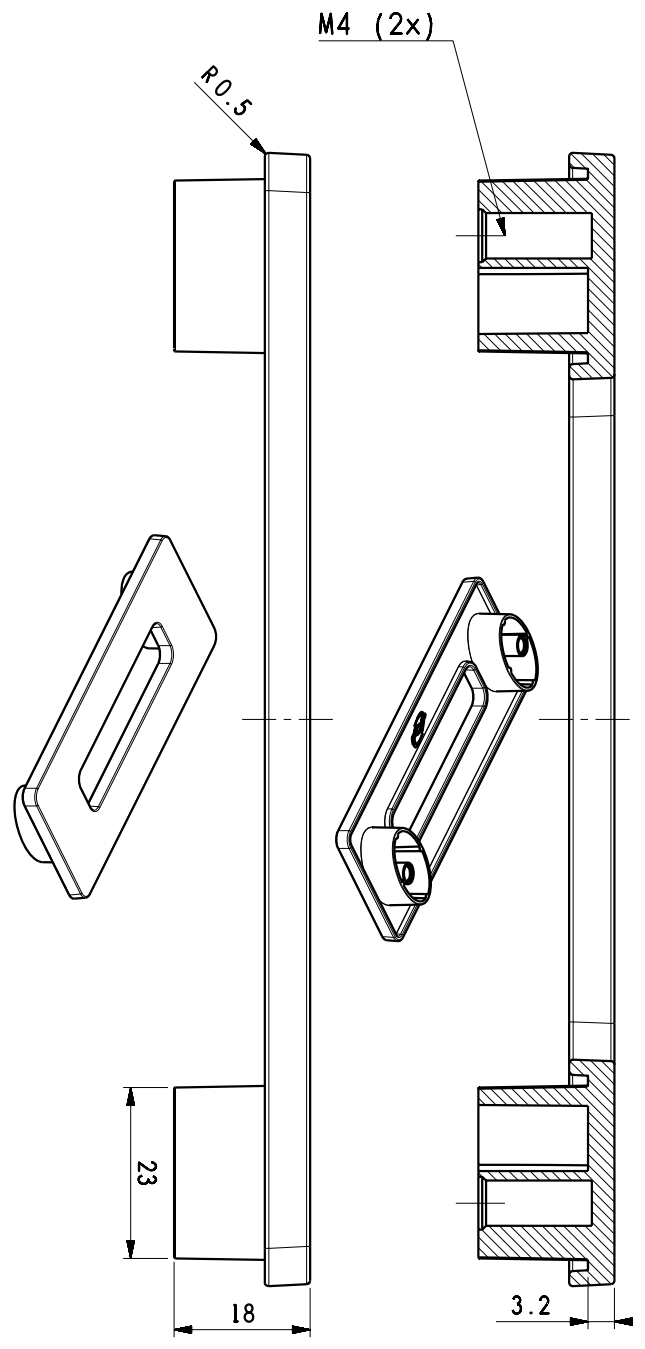
E

F

G



MATERIAL: ABS



Sez. A-A

REV	POSITION	DESCRIPTION	DATE	NAME

		UNIT mm	TYPE DRAFT DRAWING	CREATED BY ****	FORMAT A4	REVISION ***
	FILENAME ****	CLIENT ****		CREATION DATE ****	SCALE 1:1	SHEET 1/1
	ART. 1136		TOOL CODE		PART CODE ****	
PROJECT NAME ****		CHECKED BY ****		CHECKED_DATE ****		****

1 2 3 4 5